

The tabletop sterilization system that keeps getting better!

The Anprolene Classic Series sterilizers are the latest versions of the system that healthcare facilities around the world have trusted for over 40 years.

Anprolene Classic Series

Anprolene AN74i and AN74ix



CYCLE MONITORING

The Anprolene system has always offered **the most gentle 100% EtO sterilization cycle** on the market: **room temperature** sterilization (minimum 68° F), **no steam** injection, no deep vacuum, and **only 17.5 grams of gas**.



ACTIVE AERATION

This is the **most inexpensive** and versatile low temperature sterilizer available!



FREE OPERATOR TRAINING

Anprolene sterilizers now feature a number of important improvements. They include: more powerful ventilation and **purge pumps**, unique **active aeration** system, digital display **tracks cycle progress**, temperature sensor **monitors room conditions** during each cycle, microprocessor monitors cycle and automatically **restores system** in case of power failure.



OPTIONAL ABATOR

Anprolene AN74i



Suggested use:

Small footprint model is well suited for most instruments.

Chamber dimensions:

19.25"L x 13.75"W x 12.75"H

Anprolene AN74ix



Suggested use:

General use, endoscopes, long instruments.

Chamber dimensions:

29.25"L x 13.75"W x 12.75"H

STERILIZER IS INCLUDED WITH A STARTER KIT :

Starter Kit - All you need for 28 cycles!

- 2 cases 17.5 g ampoules and sterilization liner bags / **AN7916**
- 2 pouches Humidichip relative humidity stabilizer chips / **AN1071**
- 1 unit Humiditube holder / **AN1072**
- 2 boxes Dosimeter chemical indicators / **AN87**
- 2 boxes EtO exposure indicator strips - chemical indicators / **AN85**
- 2 boxes Steritest biological indicators / **AN80**
- 1 kit AirScan test kit (STEL and TWA) / **AN93**
- 1 unit Installation Kit / **AN74.01**

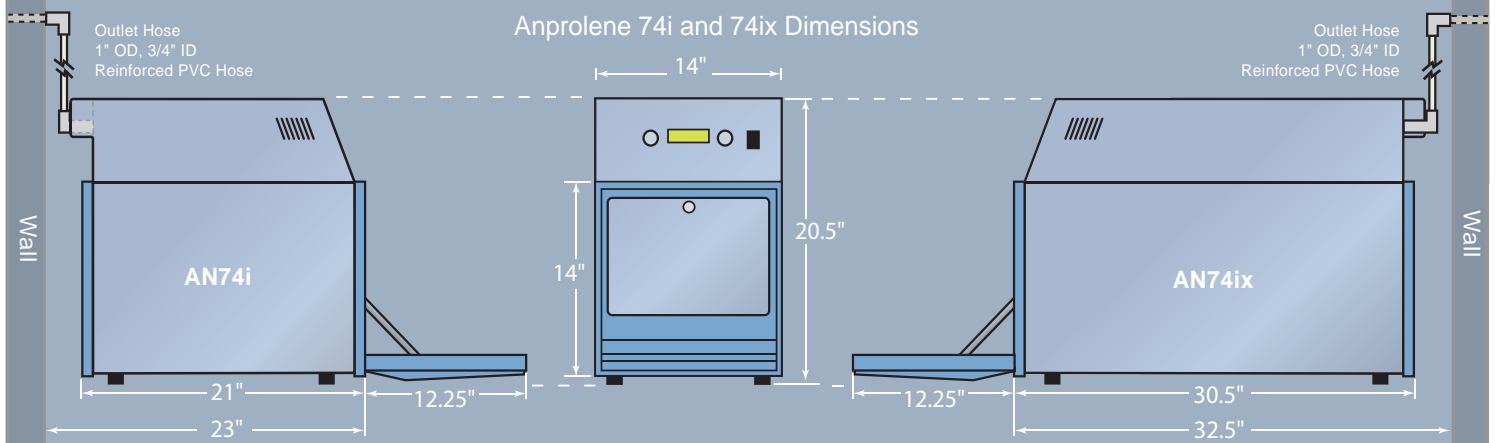


Unique Load Size Flexibility: The Anprolene system uses unique plastic sterilization liner bags and individual gas ampoules. We offer two different bag/ampoule combinations to match the size of your sterilization load. You never use more gas than you need.

Sterilization and Aeration in the same cabinet: The Anprolene System utilizes an advanced purge system that aerates products for two hours at the end of the cycle. Active aeration continues indefinitely until products are removed, and the cycle is ended.

Free Operator Training for the Life of the Sterilizer: We recommend that all Anprolene operators take our Key Operator Training course. Call to receive our study guide. When you are ready contact Andersen Customer Service to schedule a 20 minute test via telephone.

Proven Reliability: Anprolene is used in over 5,000 facilities worldwide. Find out how an Anprolene sterilizer can improve your practice today.



Specifications: AN74i

Model AN74.64
 Interior dimensions: 19.25"(L) x 13.75"(W) x 12.75"(H)
 Exterior dimensions: 21"(L) x 14"(W) x 20.5"(H)
 Total weight: 50.5 lbs.
 Power Supply: 115v +/- 10%, 60 Hz/150 Watts
 Installation Category II
 Manufactured by: Andersen Sterilizers, Inc.
 Distributed by: Andersen Products, Inc.

Specifications: AN74ix

Model AN74.84
 Interior dimensions: 29.25"(L) x 13.75"(W) x 12.75"(H)
 Exterior dimensions: 30.50"(L) x 14"(W) x 20.5"(H)
 Total weight: 60.5 lbs.
 Power Supply: 115v +/- 10%, 60 Hz/150 Watts
 Installation Category II
 Manufactured by: Andersen Sterilizers, Inc.
 Distributed by: Andersen Products, Inc.



For more information about Anprolene® Sterilization Kits call customer service at **800-523-1276**, or visit **www.anpro.com**

Following West Coast Territories (WA, OR, ID, CA, NV, UT, AZ, NM, HI, & AK) can contact a representative at:

1-800-524-3455 or visit **www.andcal.com**



www.anpro.com
Andersen Products, Inc.
 Health Science Park • 3202 Caroline Drive
 Haw River, NC 27258-9564 USA
 800-523-1276 • fax 336-376-8153

www.andcal.com
H. W. Andersen Products of California, Inc.
 Health Science Park • 3151 Caroline Drive
 Haw River, NC 27258-9575 USA
 800-524-3455 • fax 336-376-3088

EC REP
Andersen Products, Limited
 Davy Road • Clacton-on-Sea
 Essex CO15 4XA UK
 1255-428-328

Manufactured by:
Andersen Sterilizers, Inc.
 3154 Caroline Drive
 Haw River, NC 27258 USA